



DOORAS
FIRE FIGHTING EQUIPMENT



DRS 5600-5700-5800 SERIES

www.dooras.com

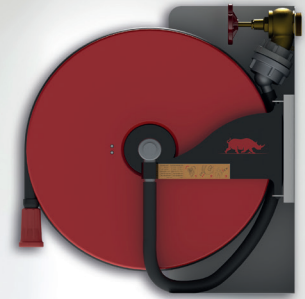
DRS 5600-5700-5800 SERIES



DRS 5600



DRS 5700



DRS 5800

DRS 5600-5700-5800

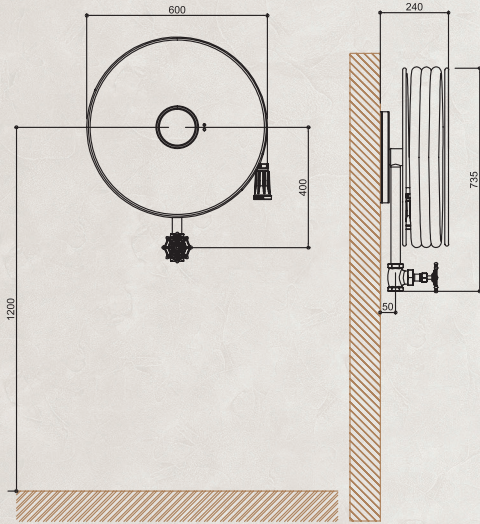
PRODUCT TECHNICAL SPECIFICATIONS

INTERNAL MATERIALS

- Water Supplied from Center, Corrosion Resistant Reel, TS-EN 671-1 / CE Certified
- Semi-Hard Fire Hose with round section, TS EN 694 Certificated
- 1" Ball Fire Valve (Brass), DIN 14461, TS 12259
- 6mm Made of Sheet Metal, Laser Cut Reel Arm (Provides 270° Reel Movement)
- With Jet, Spray and Off positions and Nozzle according to UL-FM and DIN / EN 671-1
- A1 Quality Sheet Metal Production, Reel Rim
- Reel Rim Phosphate Coating, Completely Electrostatic Powder Painted. (Red)
- Reel Arm Phosphate Coating, Completely Electrostatic Powder Painted. (Black)
- Reinforced Reel / Basket Carrying Console on Both Side Walls of Case
- * Optional Color and Design Options (Ral Codes for customer requests)
- Products are shipped with cardboard packaging after tested hundred percent.
- All Hose Connections are done with Special Press Method. Clamp etc. are never used.
- All hose Connections are covered with plastic to prevent the damage to user.

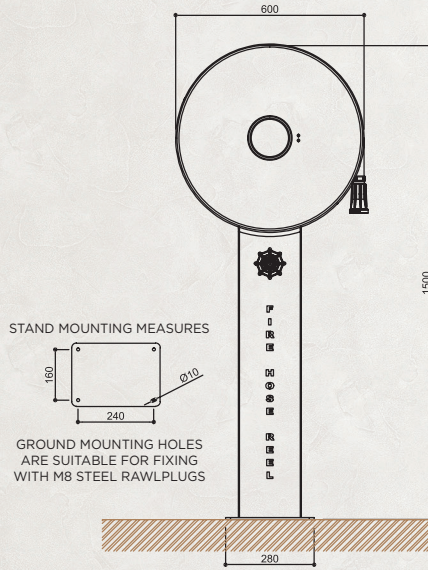
DRS 5600

FIXED TYPE



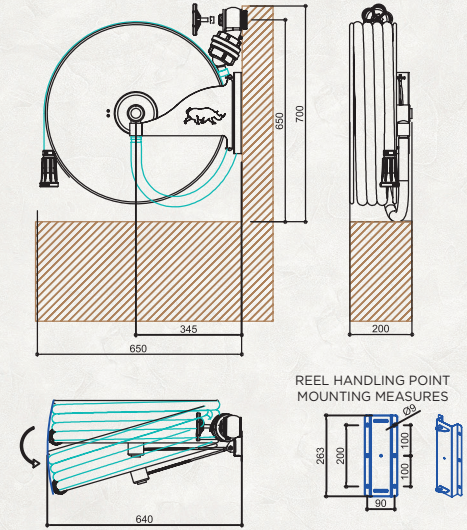
DRS 5700

STANDING FIXED



DRS 5800

SHAFT TYPE



OUTDOOR

	MODEL	PRODUCT DESCRIPTION	PRODUCT TYPE	PRODUCT DIMENSIONS (mm)
1" Semi Hard Hose	DRS5615.IST_	1"-15m Semi Hard Hosed, Fire Hose Reel	Special Fire Hose Reel	600x735x240
	DRS5620.IST_	1"-20m Semi Hard Hosed, Fire Hose Reel		600x735x240
	DRS5625.IST_	1"-25m Semi Hard Hosed, Fire Hose Reel		600x735x240
	DRS5630.IST_	1"-30m Semi Hard Hosed, Fire Hose Reel		600x735x240

SPECIAL PURPOSE

	MODEL	PRODUCT DESCRIPTION	PRODUCT TYPE	PRODUCT DIMENSIONS (mm)
1" Semi Hard Hose	DRS5715.IST_	1"-15m Semi Hard Hosed, Fire Hose Reel	Special Fire Hose Reel	600x1500x240
	DRS5720.IST_	1"-20m Semi Hard Hosed, Fire Hose Reel		600x1500x240
	DRS5725.IST_	1"-25m Semi Hard Hosed, Fire Hose Reel		600x1500x240
	DRS5730.IST_	1"-30m Semi Hard Hosed, Fire Hose Reel		600x1500x240

RECESSED TYPE

	MODEL	PRODUCT DESCRIPTION	PRODUCT TYPE	PRODUCT DIMENSIONS (mm)
1" Semi Hard Hose	DRS5815.IRT_	1"-15m Semi Hard Hosed, Fire Hose Reel	Special Fire Hose Reel	650x700x200
	DRS5820.IRT_	1"-20m Semi Hard Hosed, Fire Hose Reel		650x700x200
	DRS5825.IRT_	1"-25m Semi Hard Hosed, Fire Hose Reel		650x700x200
	DRS5830.IRT_	1"-30m Semi Hard Hosed, Fire Hose Reel		650x700x200

DOORAS A.Ş. reserves the right to make modifications on the products without notification.





DOORAS
FIRE FIGHTING EQUIPMENT

Your trusted business partner.



www.dooras.com