



DOORAS
FIRE FIGHTING EQUIPMENT



DRS 8200 SERIES

www.dooras.com

DRS 8200 SERIES



DRS 8200

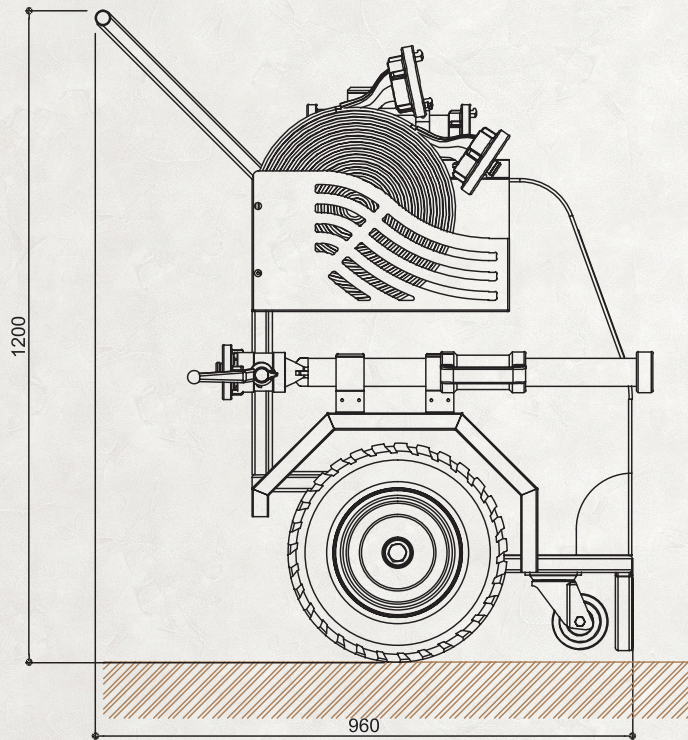
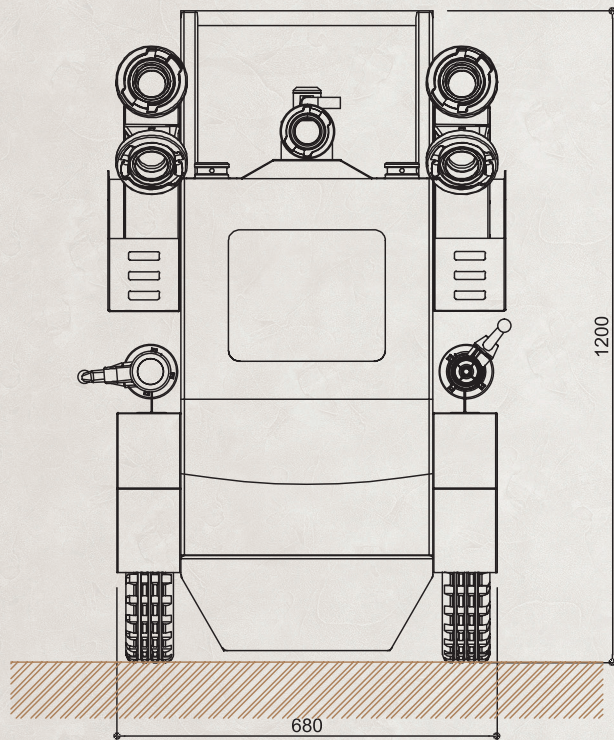
PRODUCT TECHNICAL SPECIFICATIONS

Mobile Foam Units provide the opportunity to intervene in fires that may occur in volumes where the water extinguishing effect has not been sufficiently observed or the substances that can react with water are stored and produced. Examples of areas of use include Factories, Industrial Plants, Aircraft and Helicopter Hangars, Parking lots and Gas Stations. Mobile Foam Units are suitable for Interventions with only water depending on water source other than Foam Intervention Period.

INTERNAL MATERIALS

- 2" or 2,5" Flat Fire Hose, TS 9222 Certificated
- 2" or 2,5" Hose Union (Aluminum - Storz Type), TS 12258 Certificated
- 2" - 2,5" Foam Mixer (200 l / min. or 400 l / min.), Stainless, Water-Foam Ratio 1% - 3% - 6%, TS EN 13565-1 + A1
- 2" veya 2,5" "Swivel Head Controlled Lance" with Jet, Spray and Off positions (EN 671-2 compliant)
- 2" or 2,5" Controlled Foam Lance (On-Off), Stainless, TS EN13565-1 + A1
- Special Foam Tank with 150lt Capacity and Resistant to Chemical Structure of Foam
- Foam Melanger Fixing Device
- On-Vehicle Fixed Hose Basket, Electrostatic Powder Coated
- Mudflap (On-Vehicle Fixed, Completely Electrostatic Powder Coated)
- Ease of use and control during motion, thanks to the breakwater tank design
- Special Safety Buffer to Protect the Tank Against Crashes
- Black Electrostatic Powder Coated Tank Chassis
- Tear-proof, Nonfading, PVC Operating Instructions on the Tank
- Wheel (10 Fold Aired, Resistant to Temperature Differences)
- Convenient Chassis and Wheel Group Suitable for Rough Terrain
- The Vehicle has been tested completely and shipped with packaged on pallet.
- Optional Inner and Outer Rubber Coated, Red Color Fire Hose Option

DRS 8200 MOBILE FOAMING UNIT WITH LAY FLAT HOSE



MOBILE

	MODEL	PRODUCT DESCRIPTION	PRODUCT TYPE	PRODUCT DIMENSIONS (mm)	FOAM CAPACITY	FLOW (5bar - 7bar)	FOAM INTERVENTION TIME (with 3% foam)
2" Flat Hose	DRS8220.2	2"-20m Flat Hose Mobile Foam Unit	MOBILE	680x960x1200	150 Litre	200lt/min.	24min.
	DRS8230.2	2"-30m Flat Hose Mobile Foam Unit		680x960x1200			
2 1/2" Flat Hose	DRS8220.3	2 1/2"-20m Flat Hose Mobile Foam Unit	MOBILE	680x960x1200		400lt/min.	12min.
	DRS8230.3	2 1/2"-30m Flat Hose Mobile Foam Unit		680x960x1200			

DOORAS A.Ş. reserves the right to make modifications on the products without notification.





CERTAIN HUGE FIRES

- 2001** Kyanguli High School Fire, 68 people lost their lives. / **Kenya**
- 2001** Ramanathapuram Badasha Mental Home Fire, 25 people lost their lives. / **India**
- 2001** Manor Hotel Fire, 75 people lost their lives. / **Philippines**
- 2001** De Hemel Nightclub Fire during Christmas Party, 14 people lost their lives, 180 were injured. / **Netherlands**
- 2001** Myojo 56 Building Fire, 44 people lost their lives. / **Japan**
- 2002** Karaoke Bar Fire, 42 people lost their lives. / **Indonesia**
- 2002** Sidi Moussa Prison Fire, 50 people lost their lives. / **Morocco**
- 2002** La Coajira Nightclub Fire, 47 people lost their lives. / **Venezuela**
- 2003** Daegu Subway Station Fire, 192 people lost their lives, 151 were injured. / **South Korea**
- 2003** The Station Nightclub Fire, 100 people lost their lives. / **Iceland**
- 2004** Rangarajapuram Wedding Hall Fire, 55 people lost their lives. / **India**
- 2004** Zhongbai Commercial Plaza Fire, 53 people lost their lives. / **China**
- 2004** Ycua Bolanos Super Market Fire, 370 people lost their lives, 500 were injured. / **Paraguay**
- 2004** Republica Cromagnon Nightclub Fire, 194 people lost their lives, 714 were injured. / **Argentina**
- 2005** Beni Suef Cultural Palace Fire, 46 people lost their lives. / **Egypt**
- 2005** Hertfordshire Oil Storage Terminal Fire, 43 people lost their lives. / **England**
- 2005** Liaoyang City Hospital Fire, 39 people lost their lives. / **China**
- 2006** KTS Leather Factory Fire, 65 people lost their lives, 100 were injured. / **Bangladesh**
- 2006** Kolkata Leather Factory Fire, Around 9 people lost their lives. / **India**
- 2006** Moscow Hospital Fire, 46 people lost their lives. / **Russia**
- 2007** Nursing Home Fire, 19 people lost their lives. / **Russia**
- 2007** Warehouse Fire, 5 people lost their lives. / **Mexico**
- 2007** Warehouse Fire, 4 firemen lost their lives. / **Warwickshire**
- 2008** Wuwang Kulp Fire, 43 people lost their lives. / **China**
- 2009** Fire at Hospital for the Homeless, 23 people lost their lives. / **Poland**
- 2009** Bashundhara Shopping Mall Fire, 7 people lost their lives. / **Bangladesh**
- 2009** Great Beijing Mandarin Oriental Hotel Fire, 1 person lost his life. / **China**
- 2009** Nakumatt Supermarket Fire, 29 people lost their lives. / **Kenya**
- 2009** Santika Club Fire, 66 people lost their lives. / **Bangkok**
- 2015** 253 stores burned to the ground in a fire that broke out at Ankara Osmanlı Bazaar. / **Turkey**
- 2016** Istanbul Bayrampaşa Industrial Area Fire was brought under control by 10-hour response of 148 Firefighters, causing a damage of millions of Turkish Liras. / **Turkey**
- 2016** Adana Dormitory Fire, 12 people lost their lives. / **Turkey**